

# Wick PRO Charging Tray

## Instruction manual

**wick**<sup>®</sup>  
by Graypants



IP20

<b>Model</b>	Wick PRO Charging Tray (with 8 pads per tray)
<b>Dimensions &amp; Weight</b>	Single Tray: L51 x W24 x H 3 cm / Weight: 1.5kg Double Tray: L51 x W26.2 x H 33.5 cm / Weight: 3.8kg Triple Tray: L51 x W26.2 x H 63.5 cm / Weight: 6.1kg
<b>Materials used</b>	Plastic, Metal
<b>SKU</b>	GP-2099-CP8-BLK GP-2099-CP16-BLK CP-2099-CP24-BLK
<b>IP rating</b>	IP20 (suitable for indoor use only)
<b>Input</b>	Voltage: DC12V, Current: Auto adjust
<b>Output</b>	Max. 5W per single pad; Max. 60W/per tray
<b>Certification</b>	CE / UKCA / RoHS / FCC

## Charging tray

The charging tray can charge up to eight Wick Pro's per tray. It features a light indicator to show whether the lamps are charging or not. The light turns green when the Wick Pro is fully charged.

# Components

## Included in the package

### Single tray:

- 1 Wick charging base platform
- 4 Feet
- Allen key
- Power cable

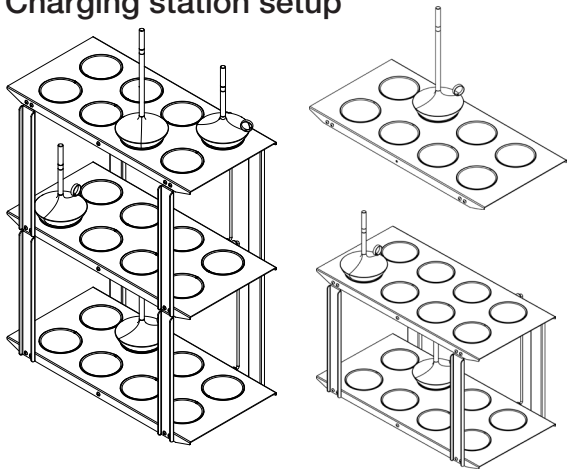
### Double trays:

- 2 Wick charging base platforms
- 4 Legs
- 4 Feet
- Allen key
- 1 Connector cable
- Power cable

### Triple trays:

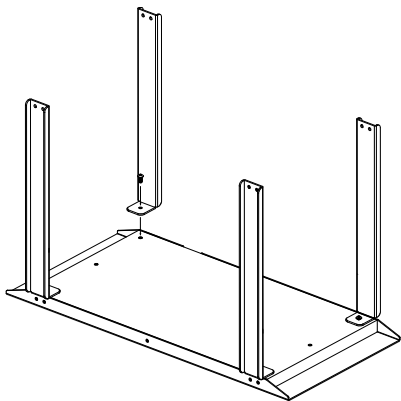
- 3 Wick charging base platforms
- 8 Legs
- 4 Feet
- Allen key
- 2 Connector cables
- Power cable

## Charging station setup



The charging station features charging platforms, held up by connection legs. It is connected to electricity using a power cable connected to the bottom tray and interlinking cables between two trays.

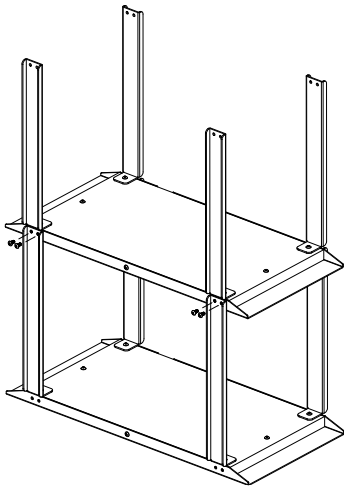
## Charging base assembly



Allen key needed

Put one of the charging trays upside down (the screws are pre-screwed into the tray, unscrew them first), and attach a leg to each of the four corners. Screw it tightly together using the screw and the allen key. Do this once for the 'double tray' and twice for 'triple tray'.

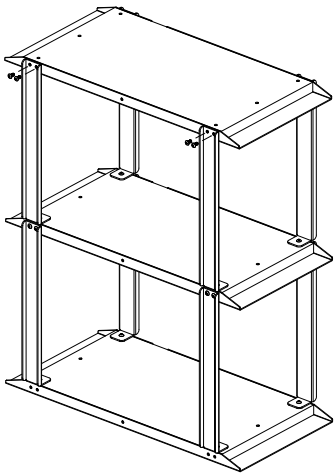
*Single tray starts at page 9.*



Allen key needed

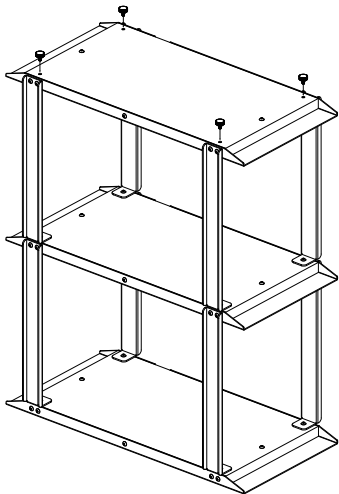
Place the second tray above the first one, aligning the corner holes with the tops of the legs. Insert two screws on the outside of each leg and tighten them evenly using the allen key. Make sure both platforms are firmly connected and level before continuing.

*Double tray continues at page 8.*

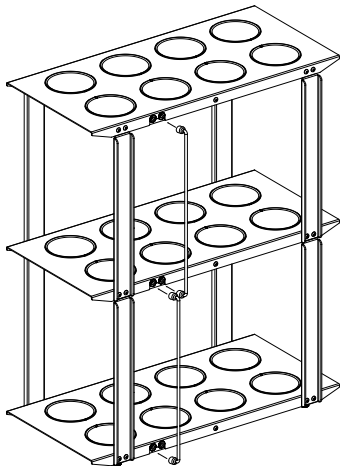


Allen key needed

Place the final tray above the other(s), aligning the corner holes with the tops of each legs. Insert two screws on the outside of each leg and tighten them evenly using the allen key. Make sure both trays are firmly connected and level before continuing.

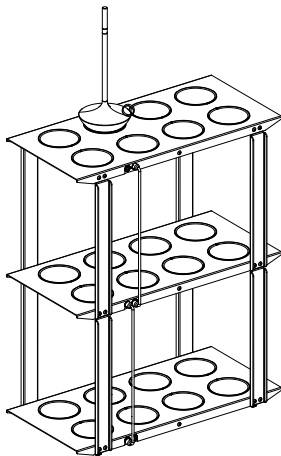


Attach the four feet to the bottom charging tray by screwing them into the four holes on the bottom. Adjust level by screwing or unscrewing the feet.



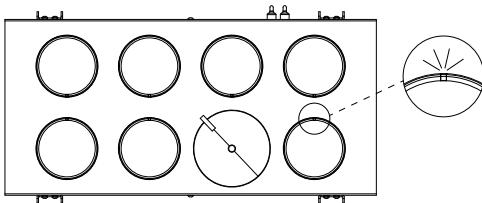
Turn the station right side up and connect the trays together using the two connection cables by linking the top to the middle tray, and the middle tray to the bottom tray. Use the connector holes on the left back side of each tray to make the connections. Use the second connector hole on the bottom to plug the trays into the power supply.

## Wick PRO interaction



To charge a Wick PRO, place it on one of the circular charging points on the tray.

## Charging indicator light



A white light will turn on indicating that the Wick PRO is charging. When the Wick PRO is fully charged, the light will turn green. The green light will flash if the charging pad detects a foreign object or if there is poor aligning with the Wick PRO.

## **Maintenance**

Clean the product using a dry microfiber cloth, be mindful of water and chemical usage.

Do not get the product wet.

Do not damage the circuit parts.

## **Safety Instructions**

Do not use the product in high temperatures or humid environments.

Keep away from water and flammable materials.

Do not disassemble or modify the product.

Only suitable for charging Wick Pro's.





## **Amsterdam**

Meeuwenlaan 126B  
1021JN Amsterdam  
+31 (0) 20 820 8990  
amsterdam@graypants.com

## **Seattle**

3220 1st. Ave. S. Suite 400  
Seattle, WA 98134  
(206) 420-3912  
seattle@graypants.com

**graypants.com**

© 2025 Graypants. All rights reserved.  
Wick charging tray is a registered trademark of  
Graypants.