

# Wick Battery Replacement Kit

## Instruction manual

**wick**<sup>®</sup>  
by Graypants



IP20

<b>Model</b>	Wick battery set
<b>Dimensions &amp; Weight</b>	Ø 8.5 × H 1 cm; 45 grams
<b>Materials used</b>	Plastic, Silicone
<b>SKU</b>	GPP-2064
<b>IP rating</b>	IP20
<b>Voltage</b>	5-9 V, max 2A
<b>Output current</b>	5-7.5W
<b>Certification</b>	CE / UKCA / RoHS / FCC

# Battery Replacement Kit

The battery set can be used to change the battery of a wick.

## Components

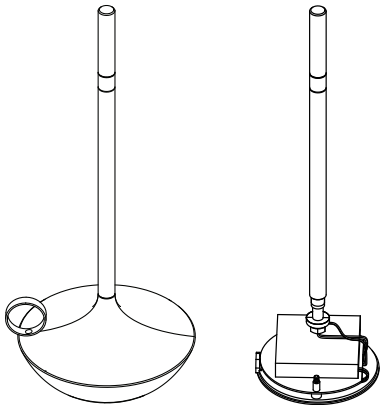
### Included in the package:

- Battery with double sided tape
- Rubber ring
- Tie wrap

### Needed:

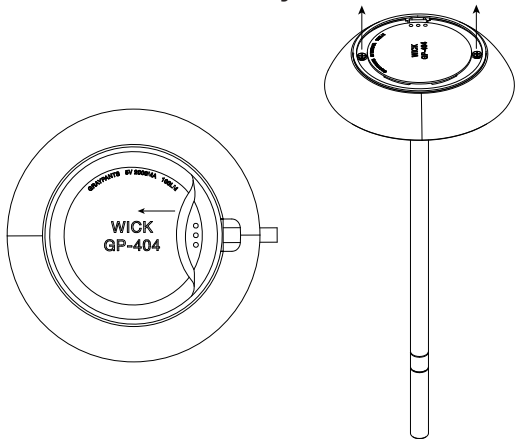
- Screwdriver
- Scissors

## Wick battery set-up

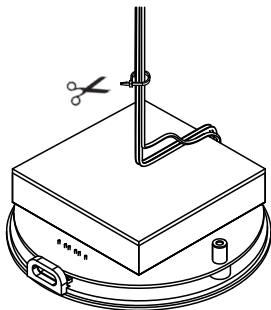
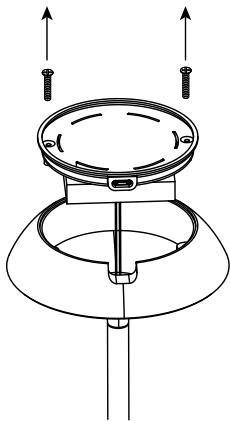


The battery is located in the base of the lamp, it is connected to a PCB and can be charged using a USB-C cable.

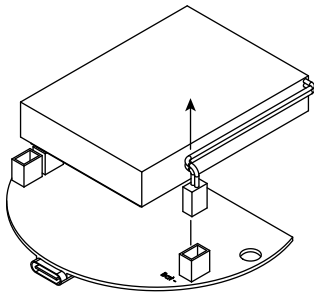
## Remove the battery



Peel back the rubber ring and unscrew the two screws at the bottom.

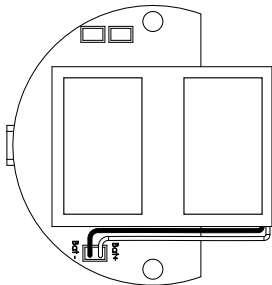


Remove the screws from the bottom plate and lift the plate out of the wick. Cut the tie wrap around the wires, be mindful not to cut the wires.



Unplug the battery and peel it off the PCB. You may need to apply some force to peel it off the PCB. Remove as much of the double sided tape as possible from the PCB. Be mindful not to damage the PCB.

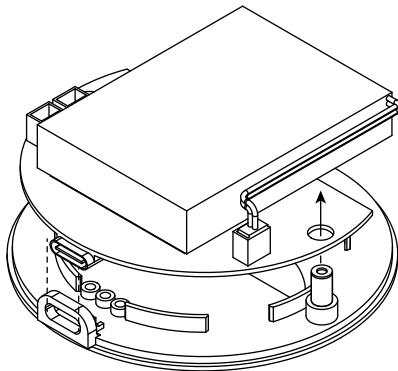
## Replace the battery



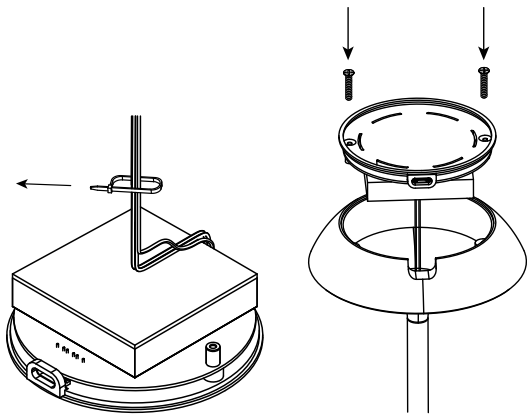
Plug the new battery into the PCB. Be mindful to connect the red wire to the plus side and the black wire to the minus side. When it is plugged in correctly use the tape to stick it securely to the PCB in the orientation that is shown above.

Make sure that the side of the battery with two pieces of tape is facing upwards. These act as protection for the battery, don't remove the backing paper of these pieces of tape.

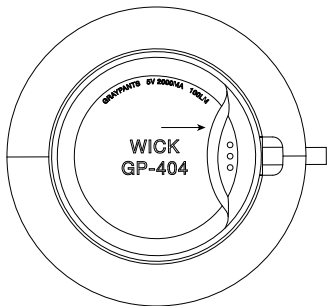
## Close the wick up again



Align the PCB USB-C port with the port in the bottom plate of the Wick. Align the holes in the PCB with the mounting posts of the bottom plate.



Tighten the new tie wrap around the wires and cut the end of the tie wrap close to the locking head. Put the PCB and bottom part back into the wick and reinstall the screws. Screw it tightly together until it's fully closed.



Finally, stick the new rubber ring back into place.

# Maintenance

## **Cleaning product**

Clean the product using a dry microfiber cloth, be mindful of water and chemical usage.

## **Do not get it wet**

Since the product contains electronic components, be careful not to expose it to moisture. If it does get wet, unplug the power source and dry it carefully. Once it is fully dry, turn it back on.

## **Don't damage the circuit parts**

Be mindful not to damage the circuit parts.

## Seattle

3220 1st. Ave. S. Suite 400  
Seattle, WA 98134  
(206) 420-3912  
seattle@graypants.com

## Amsterdam

Meeuwenlaan 126B  
1021JN Amsterdam  
+31 (0) 20 820 8990  
amsterdam@graypants.com

**graypants.com**

© 2025 Graypants. All rights reserved.  
Wick charging tray is a registered trademark of  
Graypants.